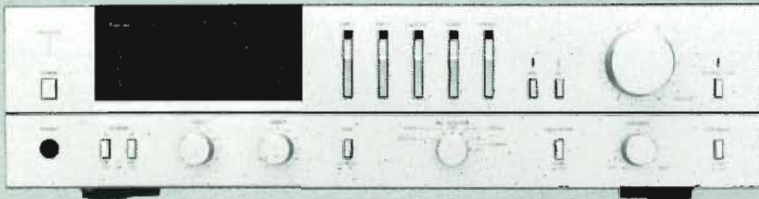


# SERVICE MANUAL

INTEGRATED AMPLIFIER

## SANSUI AU-D55X

(Silver & Black Model)



### • SPECIFICATIONS

#### Power output

Min. RMS, both channels driven, from 20 to 20,000 Hz with no more than 0.004% total harmonic distortion.

70 watts per channel into 8 ohms

Load impedance..... 8 ohms

#### Total harmonic distortion

..... less than 0.004% at or below rated min. RMS power output

#### Intermodulation distortion

(60 Hz : 7 kHz = 4 : 1 SMPTE method)

..... less than 0.004% at rated

#### Frequency response (at 1 watt)

Overall (from AUX/DA)

..... DC to 300,000 Hz,  
+0 dB, -3.0 dB

#### RIAA curve deviation (PHONO-MM, 20 Hz to 100 kHz)

..... +0.2 dB, -0.5 dB (REC OUT)

#### Damping factor (1 kHz, both channels driven)

..... 50 into 8 ohms

#### Input sensitivity and impedance (at 1 kHz)

PHONO-MC..... 250 $\mu$ V/100 ohms

(Max. input capability: 15 mV at 1 kHz, less than

0.008% total harmonic distortion)

PHONO-MM..... 2.5 mV/47 kilohms

(Max. input capability: 150 mV at 1 kHz, less than

0.005% total harmonic distortion)

AUX/DA, TUNER, TAPE PLAY-1,2

..... 200 mV/47 kilohms

#### Output level (1,000 Hz)

TAPE REC-1,2 ..... 200 mV into 47 kilohms

#### Channel separation (1 kHz, at rated power output)

PHONO-MM..... 72 dB

AUX/DA, TUNER, TAPE PLAY-1,2

..... 80 dB

#### Signal to noise ration (short-circuit, A-network)

PHONO-MC..... 65 dB

PHONO-MM..... 85 dB

AUX/DA, TUNER, TAPE PLAY-1,2

..... 110 dB

#### Controls

BASS.....  $\pm$ 8 dB at 50 Hz

TREBLE.....  $\pm$ 8 dB at 10 kHz

LOUDNESS..... +9 dB at 50 Hz

+5 dB at 10 kHz

#### Others

Power voltage..... 120/220/240 V (50/60 Hz)

For U.S.A. and Canada 120 V (60 Hz)

Power consumption..... 320 watts 380 VA Rated

530 watts Maximum

Dimensions..... 430 mm (16-15/16") W

112 mm (4-7/16") H

334 mm (13-3/16") D

Weight..... 7.7 kg (17.0 lbs.) net

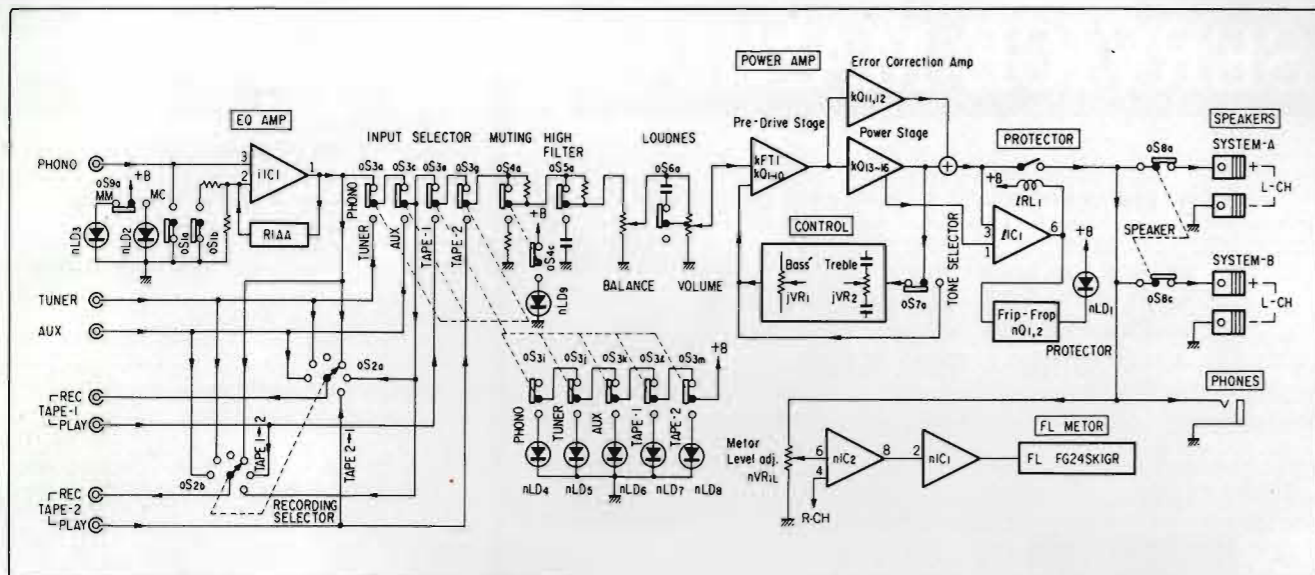
8.7 kg (19.2 lbs.) packed

\* Design and specifications subject to change without notice for improvements.

*Sansui*

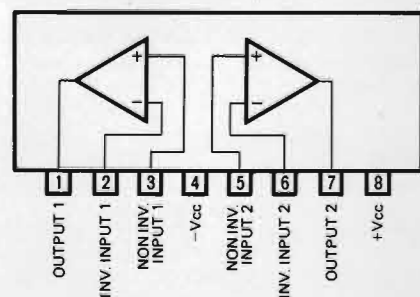
SANSUI ELECTRIC CO., LTD.

# 1. BLOCK DIAGRAM

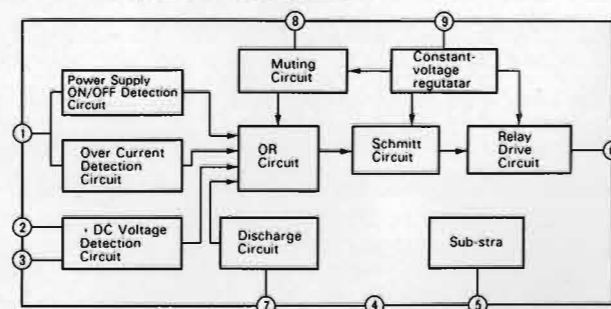


# 2. INTERIOR BLOCK DIAGRAM OF IC

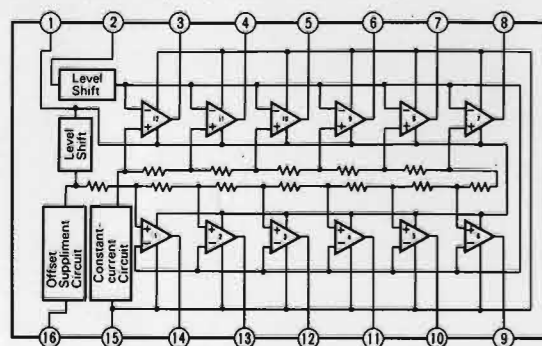
•M5220L (Audio Pre Amp. IC)



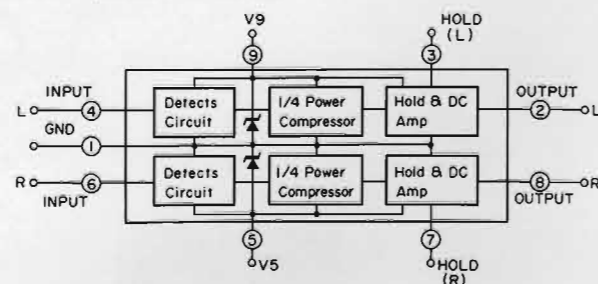
•TA7317P (Speaker Protector IC)



•HA12010 (FL Display Tube Drive IC)



•TA7318P (Meter Drive IC)



# 3. ADJUSTMENT (See Top View on page 9)

## 3-1. Driver Circuit Adjustment

- Note: 1) Master Volume .... Minimum  
 2) Room Temperature ... 18°C ~ 28°C (65°F ~ 83°F)  
 3) Before turning ON power switch, set kVR1 on F-3975 to center position.  
 4) Before turning ON power switch, set kVR2 on F-3975 fully counterclockwise.

STEP	SUBJECT	MEASURE OUTPUT	ADJUST	ADJUST FOR	REMARKS
1.	DC 0V Adj. L-CH	Speaker Terminal (L-ch)	kVR1, L-ch (F-3975)	DC 0V ± 5 mV	
2.	DC 0V Adj. R-CH	Speaker Terminal (R-ch)	kVR1, R-ch (F-3975)	DC 0V ± 5 mV	
3.	Bias Current Adj. L-CH	Between emitters of power transistors (kQ15 & kQ16) (Across kR39L)	kVR2, L-ch (F-3975) at 1 minute after turning the power ON.	DC 3.0 mV	Before adjustment, the temperature of the transistors and the radiator must be same as room temperature.
4.	Bias Current Adj. R-CH	Between emitters of power transistors (kQ15 & kQ16) (Across kR39R)	kVR2, R-ch (F-3975) at 1 minute after turning the power ON.	DC 3.0 mV	

## 3-2. PEAK POWER Indicator Level Adjustment

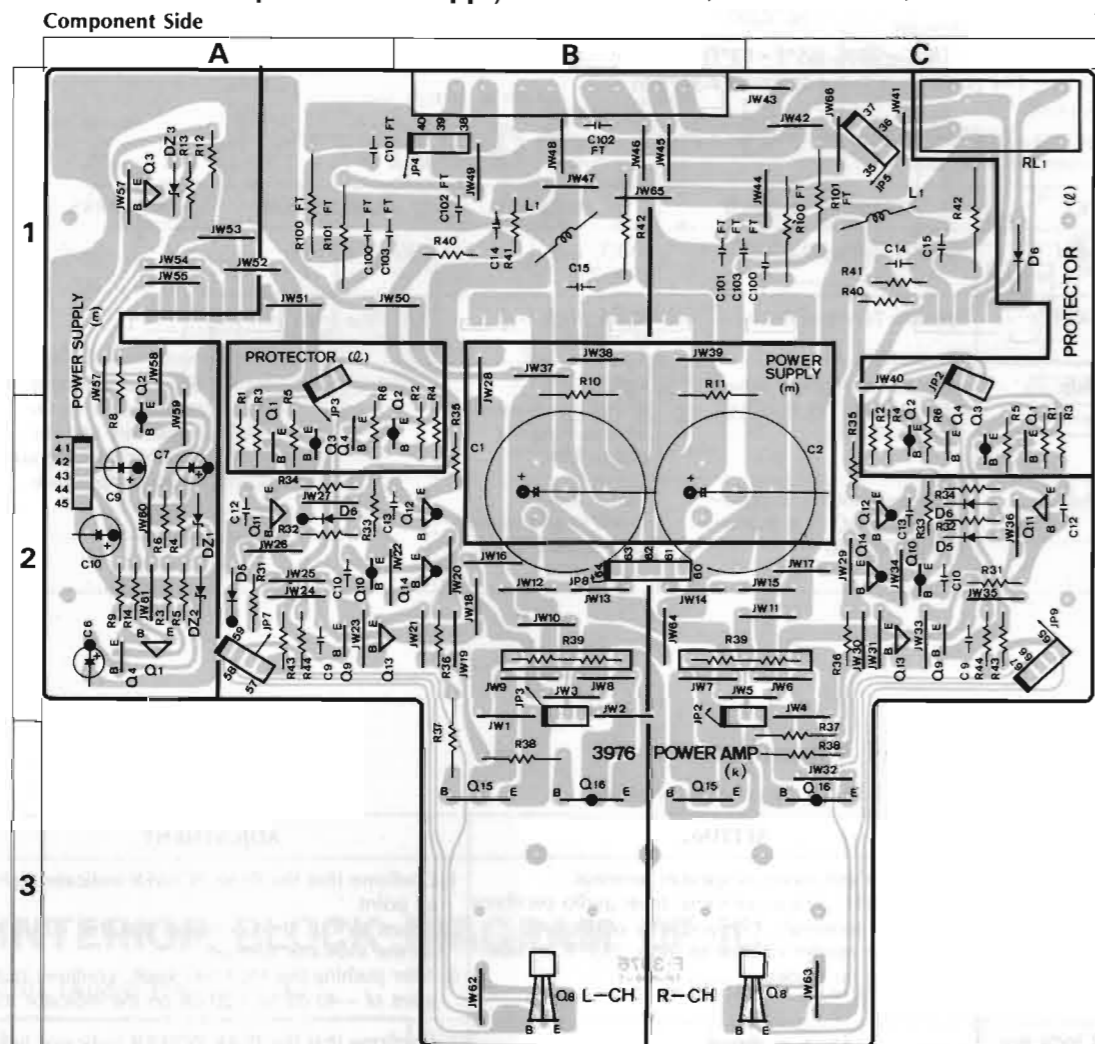
Note: Turn nVR1 on conductor side of F-3977 fully counterclockwise

STEP	SUBJECT	SETTING	ADJUSTMENT
1.	PEAK POWER Indicator Level Adj. L-CH	1. Connect volt-meter at speaker terminal. 2. Feed 1 kHz sine-wave signal from audio oscillator to input terminals, L-ch and R-ch of the unit. 3. Turn the master volume to show 23.7 V on volt-meter at no-loaded.	1. Confirme that the PEAK POWER Indicator light at all point. 2. Adjust nVR1L, then confirme that the +2 dB point on the indicator turn off. 3. After pushing the MUTING knob, confirme that the point of -40 dB to -20 dB on the indicator stay on.
2.	PEAK POWER Indicator Level Adj. R-CH	Same as above	1. Confirme that the PEAK POWER Indicator lights at all point. 2. Adjust nVR1R, then confirme that the +2 dB point on the indicator turn off. 3. After pushing the MUTING knob, confirme that the point of -40 dB to -20 dB on the indicator stay on.

# 4. PARTS LOCATION & PARTS LIST

## 4-1. F-3976 Driver Amp. & Power Supply Circuit Board (Stock No. 00731301)

\*Since some of capacitors and resistors are omitted from parts lists in this Service Manual, refer to the Common Parts List for capacitors & resistors, which was appended previously to Sansui Manual.



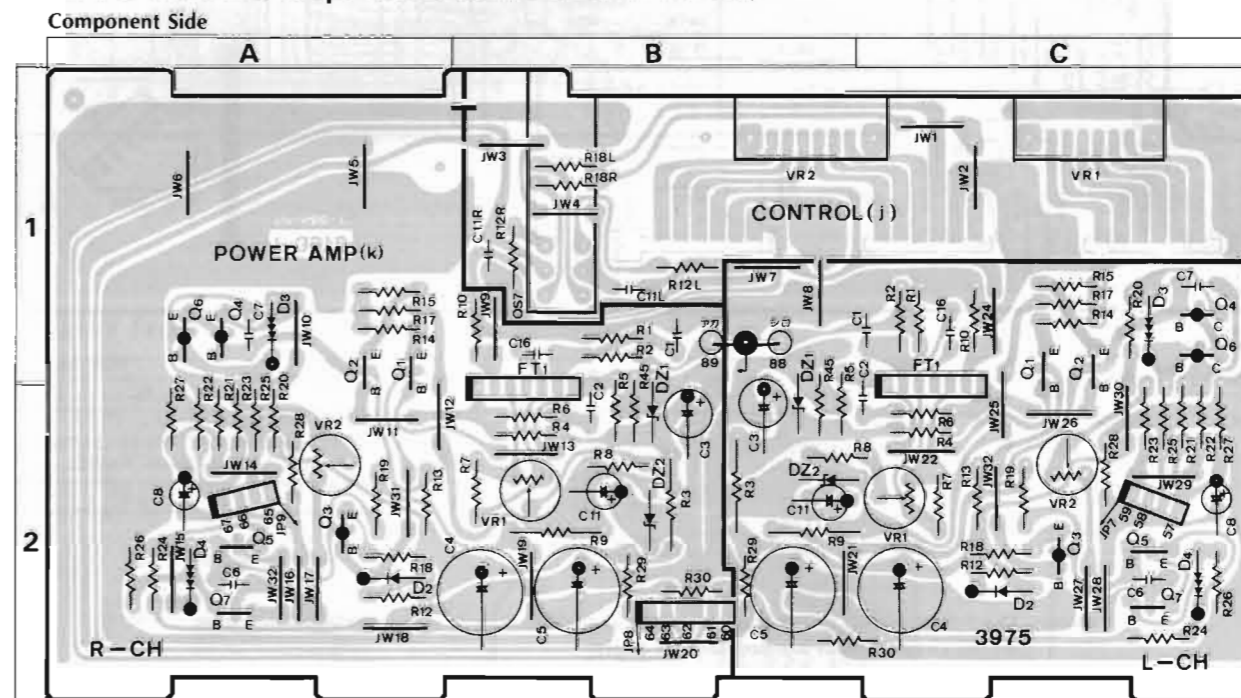
### Parts List

Parts No.	Stock No.	Description	Parts No.	Stock No.	Description
<b>•Transistor</b>					
kQ8	03068301	2SC2320	IQ1	46367301	2SC2458
	or 07194801	2SC1815		or 46367101	2SC2603
kQ9	03085201	2SD438		or 46391901	2SC2785
kQ10	03033601	2SB560MP	IQ2	46367201	2SA1048
kQ11	07206401	2SD600K		or 46367001	2SA1115
kQ12	07206301	2SB631K		or 46392001	2SA1175
kQ13	03086101	2SD357	IQ3	46367201	2SA1048
kQ14	03034401	2SB527		or 46367001	2SA1115
kQ15	03068101	2SC2581NLB		or 46392001	2SA1175
kQ16	03011401	2SA1106NLB	IQ4	46367301	2SC2458
				or 46367101	2SC2603
				or 46391901	2SC2785
<b>•Diode</b>					
			ID6	03117700	10E-2
			IL1	46254900	Relay
<b>•Transistor</b>					
kR31	46229400	220Ω 1/2W N.I.R.	mQ1	03083902	2SD313AL
kR33	46229400	220Ω 1/2W N.I.R.	mQ2	03033601	2SB560MP
kR34	46228400	33Ω 1/2W N.I.R.	mQ4	46367301	2SC2458
kR35	46228400	33Ω 1/2W N.I.R.	<b>•Zener Diode</b>		
kR36	46229100	120Ω 1/2W N.I.R.	mDZ1	46115600	05Z22-X
kR39	46184100	0.22Ω x 2 5W Ce.R.	mDZ2	46115600	05Z22-X
kR40	46227800	10Ω 1/2W N.I.R.	mDZ3	03178800	RD12E-B
kR41	46229500	270Ω 1/2W N.I.R.	<b>•Transistor</b>		
kR42	00190600	4.7Ω 2W N.I.R.			
kR100	00190600	4.7Ω 2W N.I.R.			
kR101	00190600	4.7Ω 2W N.I.R.			
<b>•Capacitor</b>					
kC14	46283000	0.012μF 50V F.C.			
kC15	46284100	0.1μF 50V F.C.			
<b>•Inductor</b>					
kL1	46027200	Inductor 1μH			

### Parts List <F-3976>

Parts No.	Stock No.	Description	Parts No.	Stock No.	Description
mR8	46229500	270Ω 1/2W N.I.R.	mC1	46506900	10000μF 63V E.L.
mR9	46229500	270Ω 1/2W N.I.R.	mC2	46506900	10000μF 63V E.L.
mR10	46251600	8.2kΩ 1W N.I.R.		46364100	8P Push Terminal Board, SPEAKER
mR11	46251600	8.2kΩ 1W N.I.R.			
mR12	46229300	180Ω 1/2W N.I.R.			
mR13	46230800	3.3kΩ 1/2W N.I.R.			
mR14	46228600	47Ω 1/2W N.I.R.			

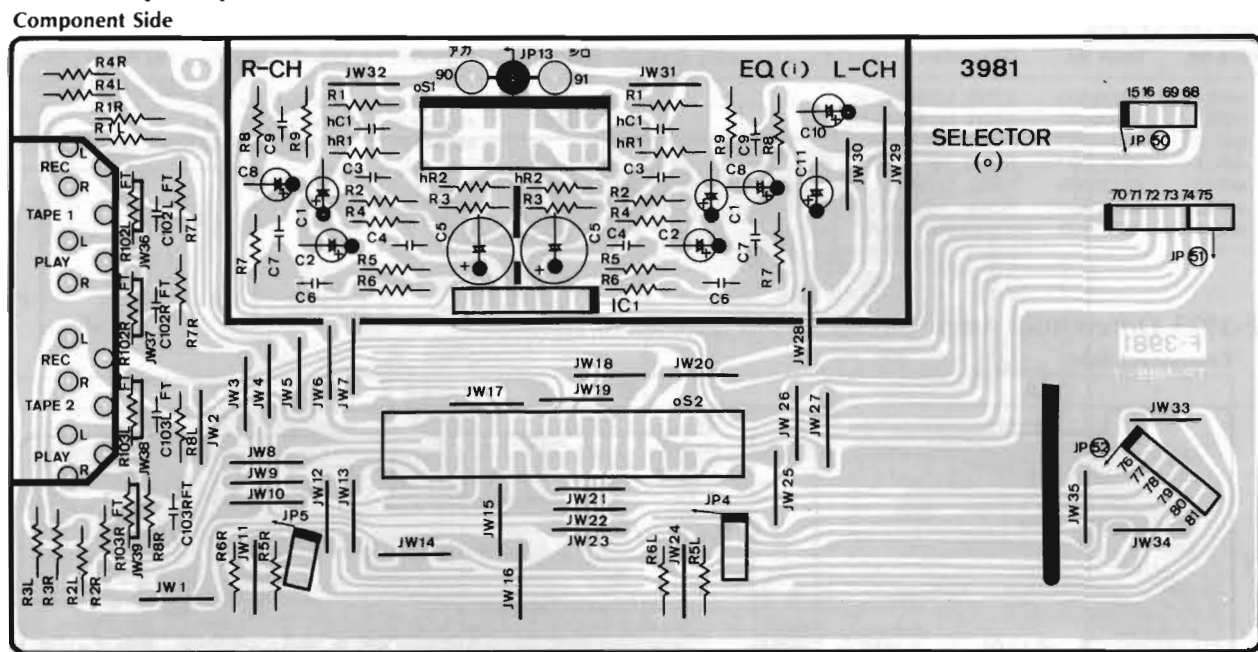
## 4-2. F-3975 Differential Amp. Circuit Board (Stock No. 00731201)



### Parts List

Parts No.	Stock No.	Description	Parts No.	Stock No.	Description
jVR1	46159800	50kΩ (C) x 2 V.R., BASS	<b>•Varistor</b>		
jVR2	46159800	50kΩ (C) x 2 V.R., TREBLE	kD3	03401700	MV103
<b>•Transistor</b>					
kQ1	03067401	2SC1845	kD4	03401700	MV103
	or 07299101	2SC2240	<b>•Zener Diode</b>		
kQ2	03067401	2SC1845	kDZ1	46115100	05Z18-Y
	or 07299101	2SC2240		or 46115600	05Z18-X
kQ3	03010901	2SA992	kDZ2	46115700	05Z22-Y
	or 07299001	2SA970		or 46115600	05Z22-X
kQ4	03010901	2SA992	kR3	00179800	1.2kΩ 1W N.I.R.
	or 07299001	2SA970	kR9	46230500	1.8kΩ 1/2W N.I.R.
kQ5	03067401	2SC1845	kR12	46230100	820Ω 1/2W N.I.R.
	or 07299101	2SC2240	kR13	46230100	820Ω 1/2W N.I.R.
kQ6	03007901	2SA899	kR18	46230100	820Ω 1/2W N.I.R.
kQ7	03064001	2SC1904	kR19	46230100	820Ω 1/2W N.I.R.
<b>•FET</b>					
kFT1	07110000	μPA68H-L	kR29	46228800	68Ω 1/2W N.I.R.
<b>•Diode</b>					
kD2	03117600	1S2473	kR30	46228800	68Ω 1/2W N.I.R.
<b>•Relay</b>					
			kVR1	10350100	100Ω (B) S.V.R., DC 0V adj.
			kVR2	10350500	470Ω (B) S.V.R., bias adj.
<b>•Switch</b>					
			oS7	11319501	Push SW., TONE SELECTOR

4-3. F-3981 EQ. Amp. Circuit Board (Stock No. 00731801)

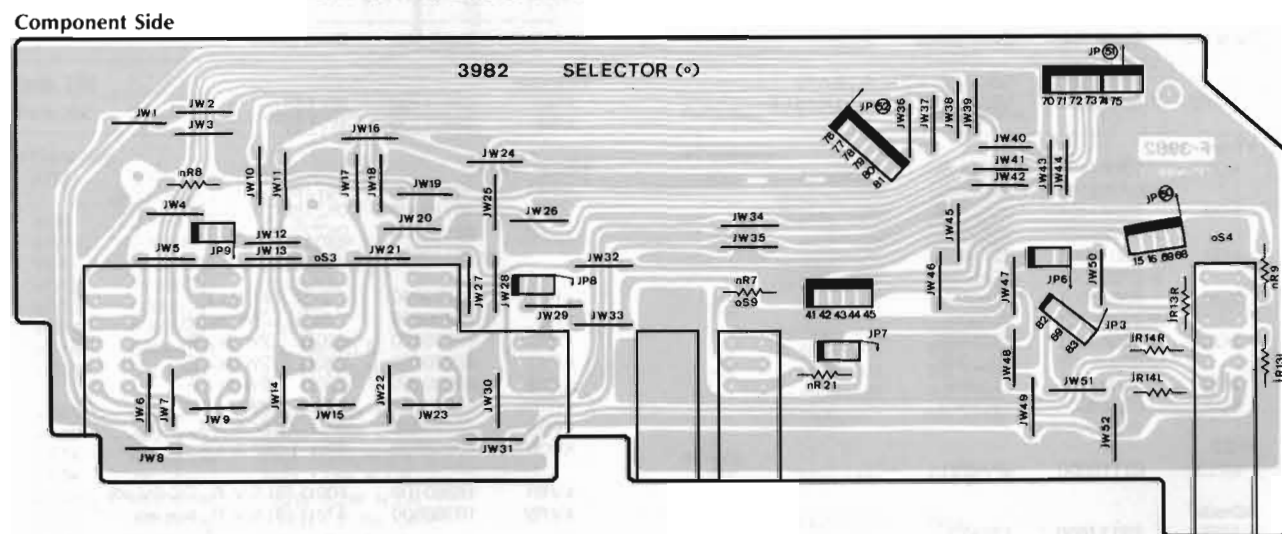


Parts List

Parts No.	Stock No.	Description	Parts No.	Stock No.	Description
hc1	46075400	150pF 125V P.C.	oS1	46548300	Slide SW., MC & MM SELECTOR
•IC			oS2	07200200	Slide SW., RECORDING SELECTOR
iIC1	46288800	M5220L		46371500	4P Input Terminal Board, TAPE-1, TAPE-2
iC3	46075200	100pF 125V P.C.			

\*Note: The F-3982 circuit board is not supplied as the assembled. However, individual parts on the circuit boards are provided by order.

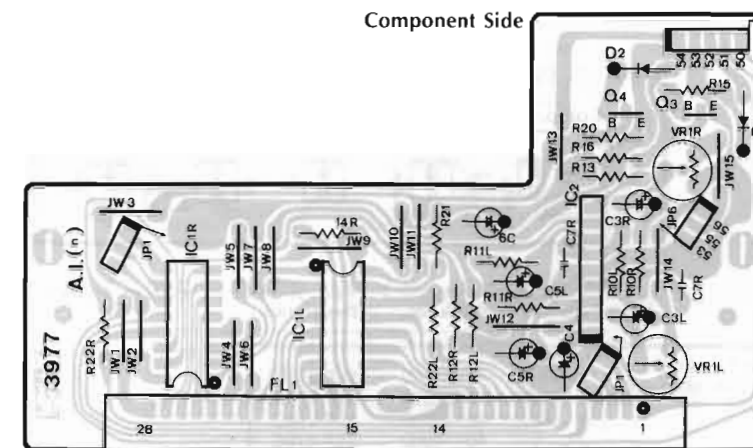
4-4. F-3982 INPUT SELECTOR & MUTING SW. Circuit Board



Parts List

Parts No.	Stock No.	Description	Parts No.	Stock No.	Description
nR7	46230100	820Ω 1/2W N.I.R.	oS3	46162200	Push SW., INPUT SELECTOR
nR8	46230000	680Ω 1/2W N.I.R.	oS4	46161900	Push SW., MUTING
nR9	46230000	680Ω 1/2W N.I.R.	oS9	46548100	Push SW., MC & MM Indicator
nR21	46229200	150Ω 1/2W N.I.R.			

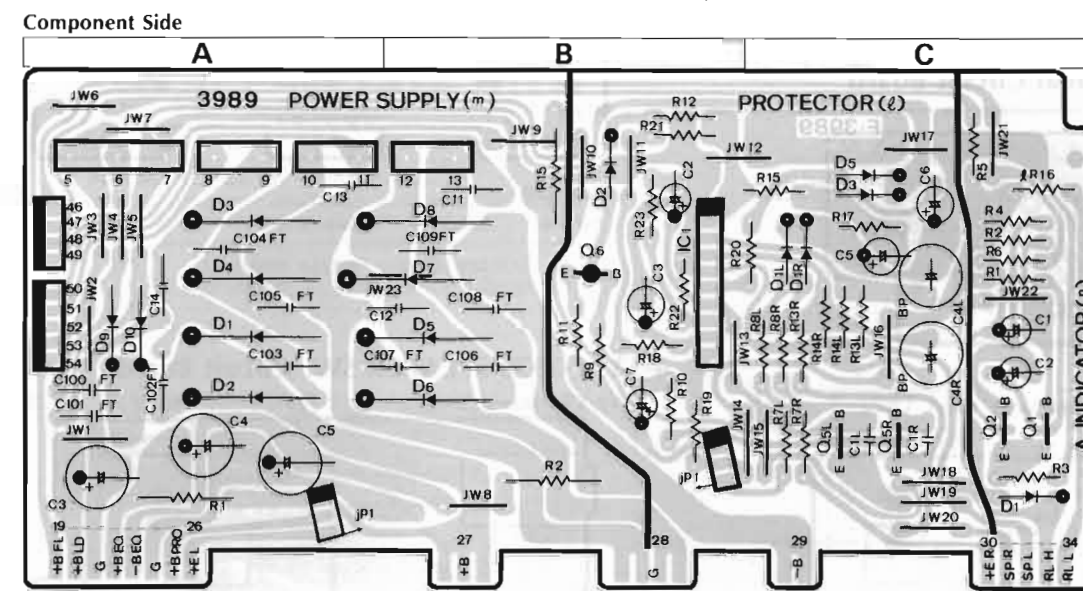
4-5. F-3977 F.L Meter Circuit Board (Stock No. 00731401)



Parts List

Parts No.	Stock No.	Description
•Transistor		
nQ3	46367301	2SC2458
	or 46367101	2SC2603
	or 46391901	2SC2785
nQ4	46367301	2SC2458
	or 46367101	2SC2603
	or 46391901	2SC2785
•IC		
nIC1	46254700	HA12010
nIC2	03610000	TA7318P
•Diode		
nD2	03117600	1S2473
nD3	03117600	1S2473
nFL1	46526600	FL. Display Tube FG24SK1GR
nR14	46230600	2.2kΩ 1/2W N.I.R.
nR17	46248900	47Ω 1W N.I.R.
nR18	46248900	47Ω 1W N.I.R.
nVR1	10351100	4.7kΩ (B) S.V.R., meter level adj.

4-6. F-3989 Protector Circuit Board (Stock No. 00732601)

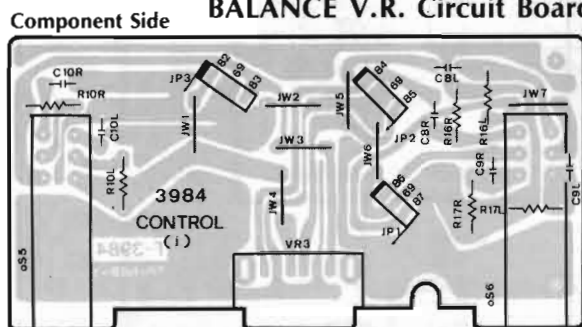


Parts List

Parts No.	Stock No.	Description	Parts No.	Stock No.	Description	Parts No.	Stock No.	Description
•Transistor			•Diode			mC13	08680400	0.01μF 500V C.C.
iQ5	03067401	2SC1845	mD1	03115300	30D2	mC14	08680400	0.01μF 500V C.C.
iQ6	03010901	2SA992	mD2	03115300	30D2			
•IC			mD3	03115300	30D2	•Transistor		
iIC1	46207600	TA7317P	mD4	03115300	30D2	nQ1	46367301	2SC2458
•Diode			mD5	03115300	30D2		or 46367101	2SC2603
ID1	03117600	1S2473	mD6	03115300	30D2		or 46391901	2SC2785
ID2	03117600	1S2473	mD7	03115300	30D2		or 46391902	2SC2785
ID3	03117600	1S2473	mD8	03115300	30D2	nQ2	46367301	2SC2458
ID5	03117600	1S2473	mD9	03117700	10E-2		or 46367101	2SC2603
IC4	08460200	220μF 6.3V E.B.	mD10	03117700	10E-2		or 46391901	2SC2785
			mR1	46249500	150Ω 1W N.I.R.	•Diode		
			mR15	00191900	82Ω 2W N.I.R.	nD1	03117600	1S2473
			mC11	08680400	0.01μF 500V C.C.	nLA1	46438300	Pilot Lamp 12V 0.1A
			mC12	08680400	0.01μF 500V C.C.			

•Note: The circuit boards, F-3984, F-3980, F-3983, F-3988, F-3726, F-3978, F-3979, F-3985, F-3986 & F-3987 are not supplied as the assembled. However, the individual parts on the circuit boards are provided by orders.

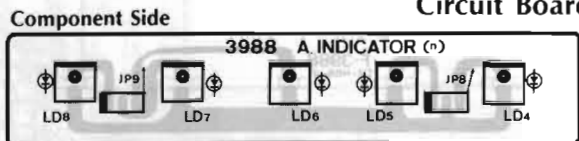
**4-7. F-3984 HIGH FILTER, LOUDNESS SW. & BALANCE V.R. Circuit Board**



**Parts List**

Parts No.	Stock No.	Description
jC8	46137400	330pF 50V C.C.
jVR3	46097500	250kΩ (MN) V.R., BALANCE
oS5	11319501	Push SW., HIGH FILTER
oS6	11319501	Push SW., LOUDNESS

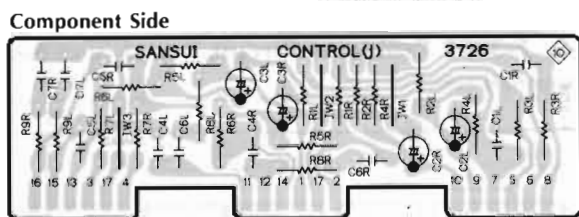
**4-10. F-3988 INPUT SELECTOR Indicator Circuit Board**



**Parts List**

Parts No.	Stock No.	Description
•LED		
nLD4	46173900	SLP-270C
nLD5	46173900	SLP-270C
nLD6	46173900	SLP-270C
nLD7	46174000	SLP-470C
nLD8	46174000	SLP-470C
nLD9	46174000	SLP-470C

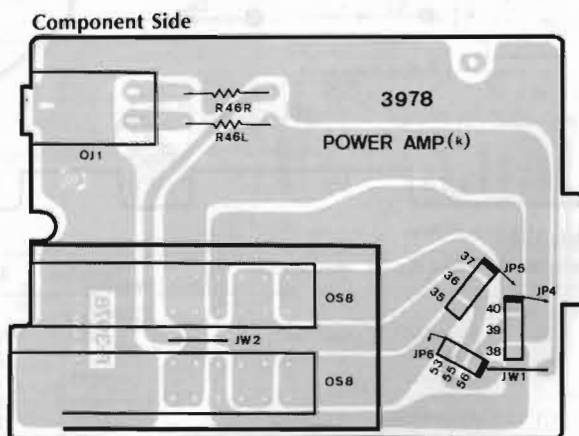
**4-11. F-3726 Tone Control Circuit Board**



**Parts List**

Parts No.	Stock No.	Description
jC2	46561700	0.22μF 50V E.B.L.

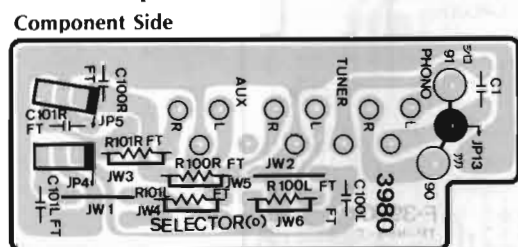
**4-12. F-3978 SPEAKER SW. Circuit Board**



**Parts List**

Parts No.	Stock No.	Description
kR46	00181200	220Ω 1W N.I.R.
oS8	46548000	Push SW., SPEAKER
oJ1	46579600	PHONES Jack

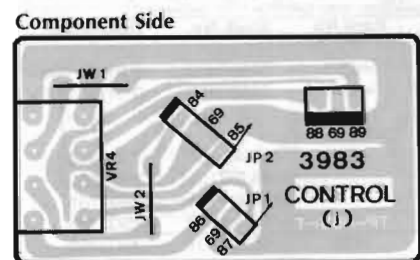
**4-8. F-3980 Input Terminal Circuit Board**



**Parts List**

Parts No.	Stock No.	Description
oC100	46140000	470pF 50V C.C.
oC101	46140000	470pF 50V C.C.
	46546800	6P Input Terminal Board, PHONO/TUNER/AUX

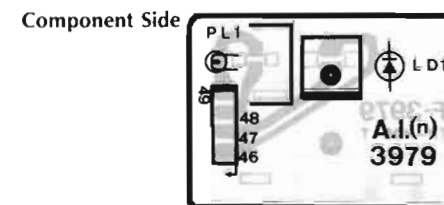
**4-9. F-3983 VOLUME Circuit Board**



**Parts List**

Parts No.	Stock No.	Description
jVR4	46159900	150kΩ (B) x 2 V.R., VOLUME

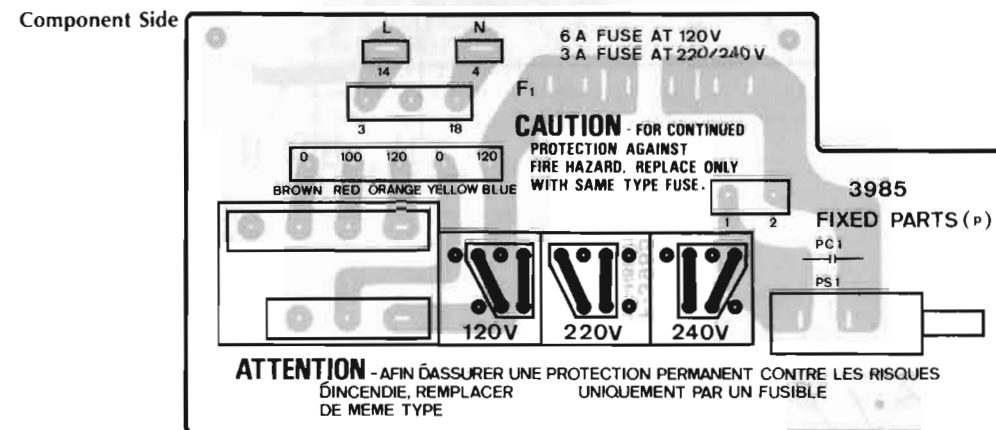
**4-13. F-3979 POWER Indicator Circuit Board**



**Parts List**

Parts No.	Stock No.	Description
	07581900	1P LED Holder
•LED		
nLD1	46169300	SEL-1210S

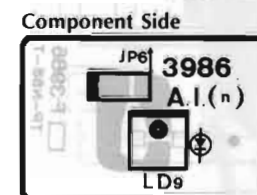
**4-14. F-3985 POWER SW. Circuit Board**



**Parts List**

Parts No.	Stock No.	Description
pC1	46425800	0.01μF 400V C.C.
pF1	07189200	Fuse 6.0A 250V (120V)
	or 07188800	Fuse 3.0A 250V (220V/240V)
pS1	46546900	Push SW., POWER

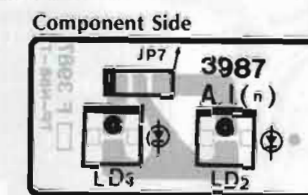
**4-15. F-3986 MUTING Indicator Circuit Board**



**Parts List**

Parts No.	Stock No.	Description
	07581900	LED Holder

**4-16. F-3987 MC/MM Indicator Circuit Board**



**Parts List**

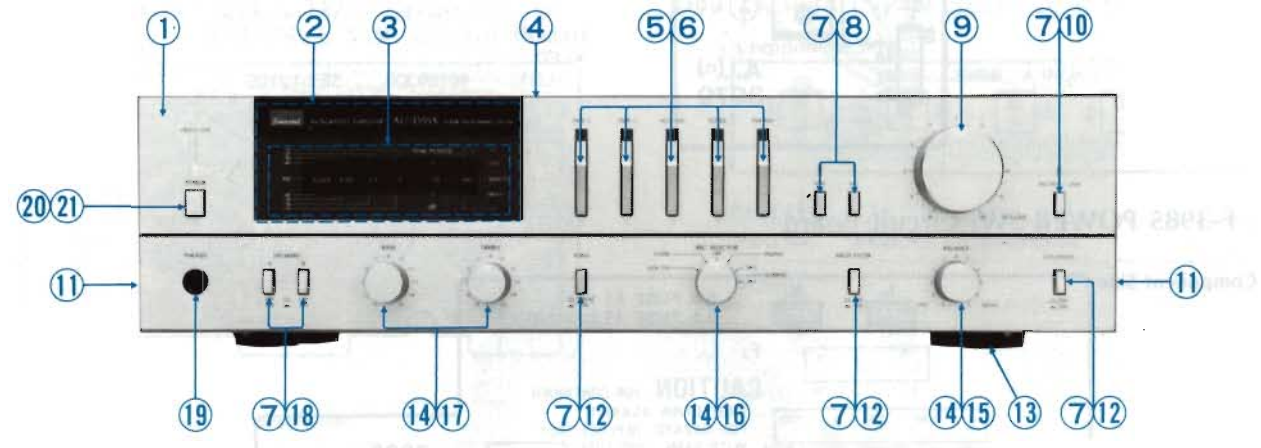
Parts No.	Stock No.	Description
	07581900	1P LED Holder
•LED		
nLD2	46173900	SLP-270C
nLD3	46169300	SEL-1210S

**•Abbreviations**

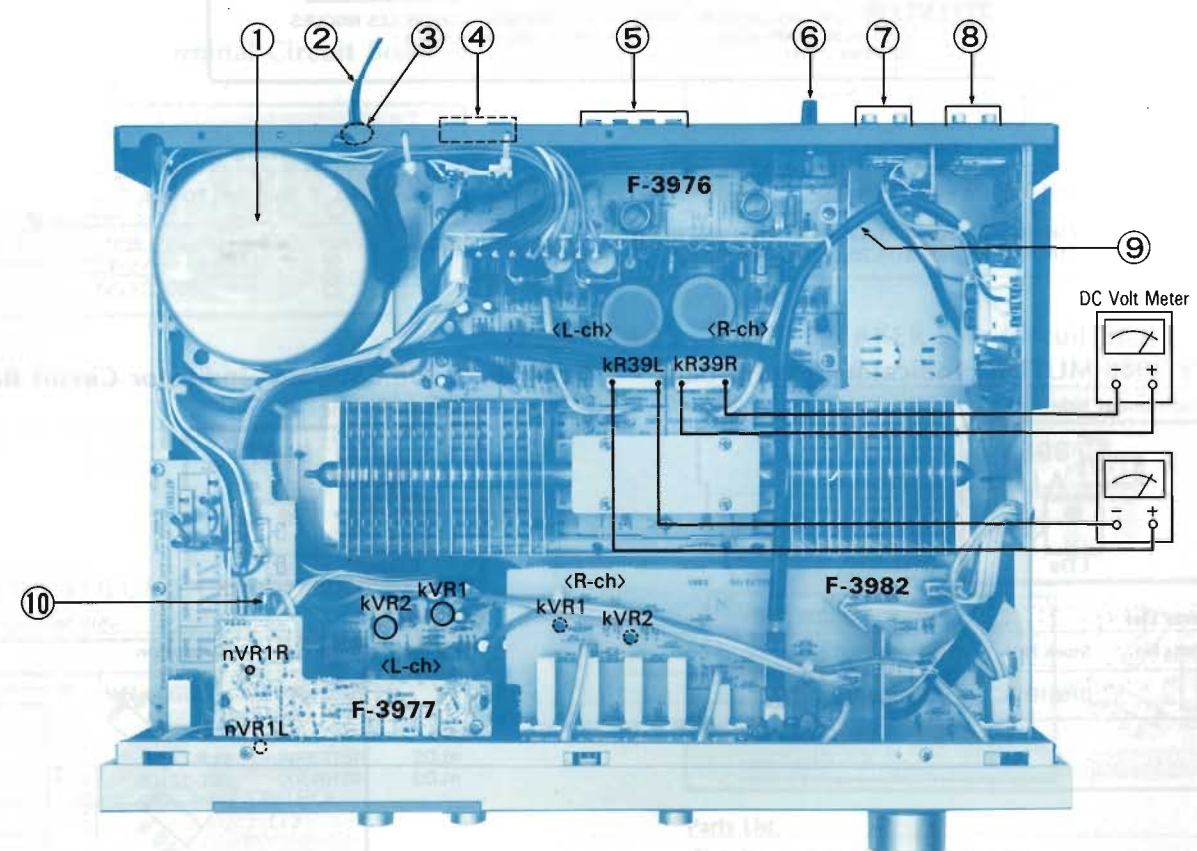
C.R. : Carbon Resistor	E.B. : Bi-Polar Electrolytic Capacitor
S.R. : Solid Resistor	E.B.L. : Low Leak Bi-Polar Electrolytic Capacitor
Ce.R. : Cement Resistor	Ta.C. : Tantalum Capacitor
M.R. : Metal Film Resistor	F.C. : Film Capacitor
F.R. : Fusing Resistor	M.P. : Metalized Paper Capacitor
N.I.R. : Non-Inflammable Resistor	P.C. : Polystyrene Capacitor
C.C. : Ceramic Capacitor	G.C. : Gimmic Capacitor
C.T. : Ceramic Capacitor, Temperature Compensation	V.R. : Variable Resistor
E.C. : Electrolytic Capacitor	S.V.R. : Semi Variable Resistor
E.L. : Low Leak Electrolytic Capacitor	SW. : Switch

# 5. OTHER PARTS

5-1. Front View



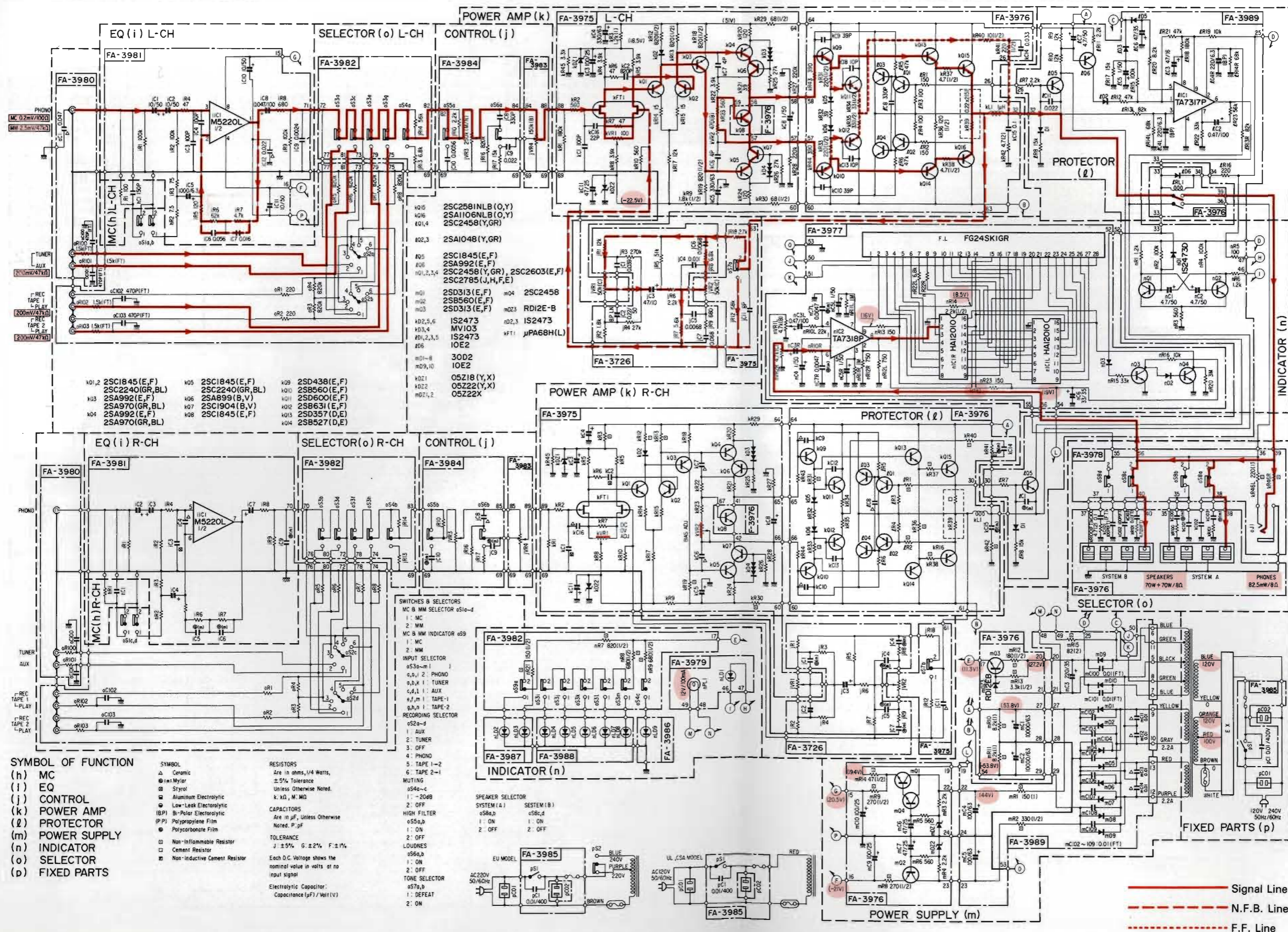
5-2. Top View



Part No.	Part Name	Quantity
2.8	100µF 50V Electrolytic Capacitor	1
2.9	100µF 50V Electrolytic Capacitor	1
3.0	100µF 50V Electrolytic Capacitor	1
3.1	100µF 50V Electrolytic Capacitor	1
3.2	100µF 50V Electrolytic Capacitor	1
3.3	100µF 50V Electrolytic Capacitor	1
3.4	100µF 50V Electrolytic Capacitor	1
3.5	100µF 50V Electrolytic Capacitor	1
3.6	100µF 50V Electrolytic Capacitor	1
3.7	100µF 50V Electrolytic Capacitor	1
3.8	100µF 50V Electrolytic Capacitor	1
3.9	100µF 50V Electrolytic Capacitor	1
3.10	100µF 50V Electrolytic Capacitor	1
3.11	100µF 50V Electrolytic Capacitor	1
3.12	100µF 50V Electrolytic Capacitor	1
3.13	100µF 50V Electrolytic Capacitor	1
3.14	100µF 50V Electrolytic Capacitor	1
3.15	100µF 50V Electrolytic Capacitor	1
3.16	100µF 50V Electrolytic Capacitor	1
3.17	100µF 50V Electrolytic Capacitor	1
3.18	100µF 50V Electrolytic Capacitor	1
3.19	100µF 50V Electrolytic Capacitor	1
3.20	100µF 50V Electrolytic Capacitor	1
3.21	100µF 50V Electrolytic Capacitor	1
3.22	100µF 50V Electrolytic Capacitor	1
3.23	100µF 50V Electrolytic Capacitor	1
3.24	100µF 50V Electrolytic Capacitor	1
3.25	100µF 50V Electrolytic Capacitor	1
3.26	100µF 50V Electrolytic Capacitor	1
3.27	100µF 50V Electrolytic Capacitor	1
3.28	100µF 50V Electrolytic Capacitor	1
3.29	100µF 50V Electrolytic Capacitor	1
3.30	100µF 50V Electrolytic Capacitor	1
3.31	100µF 50V Electrolytic Capacitor	1
3.32	100µF 50V Electrolytic Capacitor	1
3.33	100µF 50V Electrolytic Capacitor	1
3.34	100µF 50V Electrolytic Capacitor	1
3.35	100µF 50V Electrolytic Capacitor	1
3.36	100µF 50V Electrolytic Capacitor	1
3.37	100µF 50V Electrolytic Capacitor	1
3.38	100µF 50V Electrolytic Capacitor	1
3.39	100µF 50V Electrolytic Capacitor	1
3.40	100µF 50V Electrolytic Capacitor	1
3.41	100µF 50V Electrolytic Capacitor	1
3.42	100µF 50V Electrolytic Capacitor	1
3.43	100µF 50V Electrolytic Capacitor	1
3.44	100µF 50V Electrolytic Capacitor	1
3.45	100µF 50V Electrolytic Capacitor	1
3.46	100µF 50V Electrolytic Capacitor	1
3.47	100µF 50V Electrolytic Capacitor	1
3.48	100µF 50V Electrolytic Capacitor	1
3.49	100µF 50V Electrolytic Capacitor	1
3.50	100µF 50V Electrolytic Capacitor	1

# 6. SCHEMATIC DIAGRAM

\*Design and specifications subject to change without notice for improvement.  
 \*La présentation et les spécifications sont susceptibles d'être modifiées sans préavis par suites d'améliorations éventuelles.  
 \*Änderungen, die dem technischen Fortschritt dienen, bleiben vorbehalten.



- |       |                 |     |               |     |              |
|-------|-----------------|-----|---------------|-----|--------------|
| k01,2 | 2SC1845 (E,F)   | k05 | 2SC1845 (E,F) | k09 | 2SD438 (E,F) |
| k03   | 2SC2240 (GR,BL) | k06 | 2SA899 (B,V)  | k10 | 2SB560 (E,F) |
|       | 2SA992 (E,F)    |     | 2SA899 (B,V)  |     | 2SD600 (E,F) |
|       | 2SA970 (GR,BL)  |     | 2SC1904 (B,V) |     | 2SB631 (E,F) |
|       | 2SA992 (E,F)    |     | 2SC1845 (E,F) |     | 2SD357 (D,E) |
|       | 2SA970 (GR,BL)  |     |               |     | 2SB527 (D,E) |

- |           |                  |           |                               |
|-----------|------------------|-----------|-------------------------------|
| k015      | 2SC2581NB (O,Y)  | k02,3     | 2SA1048 (Y,GR)                |
| k016      | 2SA1106NLB (O,Y) |           |                               |
| k01,4     | 2SC2458 (Y,GR)   | k05       | 2SC1845 (E,F)                 |
|           |                  | k06       | 2SA992 (E,F)                  |
|           |                  | k01,2,3,4 | 2SC2458 (Y,GR), 2SC2603 (E,F) |
|           |                  |           | 2SC2785 (J,H,F,E)             |
| m01       | 2SD313 (E,F)     | m04       | 2SC2458                       |
| m02       | 2SB560 (E,F)     | m02,3     | RD12E-B                       |
| m03       | 2SD313 (E,F)     |           |                               |
| k02,5,6   | IS2473           |           |                               |
| k03,4     | MV103            |           |                               |
| k01,2,3,5 | IS2473           |           |                               |
| k06       | IOE2             |           |                               |
| m01-8     | 30D2             |           |                               |
| m09,10    | IOE2             |           |                               |
| k021      | 05Z18 (Y,X)      |           |                               |
| k022      | 05Z22 (Y,X)      |           |                               |
| m021,2    | 05Z22X           |           |                               |

- SWITCHES & SELECTORS**
- MC B MM SELECTOR s51e-4
- 1: MC
  - 2: MM
- MC B MM INDICATOR s59
- 1: MC
  - 2: MM
- INPUT SELECTOR s53a-m-1
- o, a, j: 2 PHONO
- o, b, k: 1: TUNER
- o, c, l: 1: AUX
- o, d, m: 1: TAPE-1
- o, e, n: 1: TAPE-2
- RECORDING SELECTOR s52a-9
- 1: AUX
  - 2: TUNER
  - 3: OFF
  - 4: PHONO
  - 5: TAPE 1-2
  - 6: TAPE 2-1
- MUTING s54c-c
- 1: 20dB
  - 2: OFF
- HIGH FILTER s55a,b
- 1: ON
  - 2: OFF
- LOUDNES s56a,b
- 1: ON
  - 2: OFF
- LOUDNES s57a,b
- 1: DEFEAT
  - 2: ON

- SPEAKER SELECTOR**
- |            |            |
|------------|------------|
| SYSTEM (A) | SYSTEM (B) |
| s58a,b     | s58c,d     |
| 1: ON      | 1: ON      |
| 2: OFF     | 2: OFF     |
- EU MODEL FA-3985**
- UL (USA) MODEL FA-3985**

**SYMBOL OF FUNCTION**

(h) MC  
 (i) EQ  
 (j) CONTROL  
 (k) POWER AMP  
 (l) PROTECTOR  
 (m) POWER SUPPLY  
 (n) INDICATOR  
 (o) SELECTOR  
 (p) FIXED PARTS

**SYMBOL**

▲ Ceramic  
 ● Mylar  
 □ Styrol  
 □ Aluminum Electrolytic  
 □ Low-Leak Electrolytic  
 (BP) Bi-Polar Electrolytic  
 (P) Polypropylene Film  
 ● Polycarbonate Film

□ Non-Inflammable Resistor  
 □ Cement Resistor  
 □ Non-inductive Cement Resistor

**RESISTORS**  
 Are in ohms, 1/4 Watts, ±5% Tolerance Unless Otherwise Noted. k: K, M: MΩ

**CAPACITORS**  
 Are in μF, Unless Otherwise Noted. P: pF

**TOLERANCE**  
 J: ±5% G: ±2% F: ±1%

Each D.C. Voltage shows the nominal value in volts at no input signal

Electrolytic Capacitor: Capacitance (μF) / Volt (V)

- |          |         |
|----------|---------|
| 2SA970   | 2SA899  |
| 2SA992   | 2SB631K |
| 2SB560MP | 2SC1904 |
| 2SC1815  | 2SD600K |
| 2SC1845  |         |
| 2SC2240  |         |
| 2SC2320  |         |
| 2SD438   |         |
| 2SD313AL | 2SD357  |
|          | 2SB527  |
| 2SA1048  | 2SA1106 |
| 2SA1115  | 2SC2581 |
| 2SC2458  |         |
| 2SC2603  |         |
| μPA68H   | 2SA1175 |
|          | 2SC2785 |
| TA7317P  |         |
| TA7318P  |         |
| M5220L   |         |
| HA12010  |         |
| 30D2     |         |
| 10E-2    |         |
| IS2473   |         |
|          | MV103   |
|          | 05Z18   |
|          | 05Z22   |
|          | RD12E   |

— Signal Line  
 - - - N.F.B. Line  
 ····· F.F. Line

1  
 2  
 3  
 4  
 5

**Parts List <Front View>**

Parts No.	Stock No.	Description
<Silver Model>		
1	47153200	Front Panel Ass'y
2	47152500	Scale Plate Ass'y
3	46526600	F.L. Display Tube
4	07812000	Bonnet
5	07809300	Push Knob, PHONO, TUNER, AUX/DA, TAPE-1, TAPE-2
6	46162200	Push SW., Input Selector
7	07809500	Push Knob, MM, MC, MUTING, LOUDNESS TONE, HIGH FILTER, SPEAKERS
8	46548100	Push SW., MM/MC Selector
9	07808900	Knob with Hex Socket Setscrew M3 x 5, VOLUME
10	46161900	Push SW., MUTING
11	07201100	Screw M4 x 10, Bonnet
12	11319501	Push SW., LOUDNESS, HIGH FILTER, TONE
13	07822700	Leg
14	07808700	Knob, BASS, TREBLE, REC SELECTOR, BALANCE
15	46097500	250kΩ x 2, V.R., BALANCE
16	46161500	Rotary Flex with Flexible Wire
17	46159800	50kΩ x 2 V.R., BASS, TREBLE
18	46548000	Push SW., SPEAKERS
19	46579600	Jack, PHONES
20	07809700	Push Knob, POWER
21	46546900	Push SW., POWER
<Black Model>		
1	47153300	Front Panel Ass'y
2	47152600	Scale Plate Ass'y
3	46526600	F.L. Display Tube
4	07812100	Bonnet
5	07809400	Push Knob, PHONO, TUNER, AUX/DA, TAPE-1, TAPE-2
6	46162200	Push SW., Input Selector
7	07809600	Push Knob, MM, MC, MUTING, LOUDNESS, TONE, HIGH FILTER, SPEAKERS

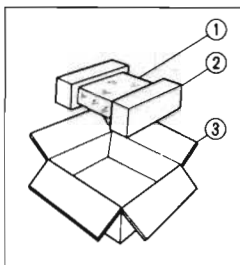
Parts No.	Stock No.	Description
8	46548100	Push SW., MM/MC Selector
9	07809000	Knob with Hex Socket Setscrew M3 x 5, VOLUME
10	46161900	Push SW., MUTING
11	00462600	Screw, M4 x 10, Bonnet
12	11319501	Push SW., LOUDNESS, HIGH FILTER, TONE
13	07822700	Leg
14	07808800	Knob, BASS, TREBLE, REC SELECTOR, BALANCE
15	46097500	250kΩ x 2 V.R., BALANCE
16	46161500	Rotary Flex with Flexible Wire
17	46159800	50kΩ x 2 V.R., BASS, TREBLE
18	46548000	Push SW., SPEAKERS
19	46579600	Jack, PHONES
20	07809800	Push Knob, POWER
21	46546900	Push SW., POWER

**Parts List <Top View>**

Parts No.	Stock No.	Description
1	15010701	Power Transformer
2	38004700	Power Supply Cord
3	39106000	Strain Relief
4	46399400	AC OUTLETS
5	46364100	8P Push Terminal Board, SPEAKER
6	22301500	Ground Terminal
7	46546800	6P Input Terminal Board, PHONO/TUNER/AUX/DA
8	46371500	4P Terminal Board, TAPE-1, TAPE-2
9	46548200	Flexible Wire, MM/MC Selector
10	07189200	Fuse 6.0A 250 V (120 V)
	07188800	Fuse 3.0A 250 V (220/240 V)

**7. PACKING LIST**

Parts No.	Stock No.	Description
1	91167820	Vinyl Bag
2	07811900	Styrofoam Packing
3	47153000	Carton Case (Silver Model)
	47152900	Carton Case (Black Model)



**8. ACCESSORY LIST**

Stock No.	Description
46525900	Operating Instruction





SANSUI ELECTRIC CO., LTD.:

SANSUI ELECTRONICS CORPORATION:

SANSUI ELECTRONICS (U.K.) LTD.:  
SANSUI ELECTRONICS G.M.B.H.:

14-1, Izumi 2-chome, Suginami-ku, Tokyo 168 Japan  
PHONE: (03) 324-8891/TELEX: 232-2076 (International Division)  
1250 Valley Brook Ave. Lyndhurst, N.J. 07071 U.S.A.  
333 West Alondra Blvd. Gardena, California 90247 U.S.A.  
3036 Koapaka St. Honolulu, Hawaii 96819 U.S.A.  
Unit 10A, Lyon Industrial Estate, Rockware Avenue, Greenford, Middx UB6, OAA, England  
Paul Ehrlich Strasse 8, 6074 Rödermark 2, West Germany